

Curtis ALP3GTR

Glasspot Open Brew

Features:

Intuitive Scroll-Through Precision Programming

Large, brightly lit display communicates functions at a glance. Easily adjust time, volume, temperature, brew functions and more from the front of the brewer

Built-In Fine Tuning Brewing Modes

Pre-infusion or pulse brew enhances extraction of gourmet coffee flavor. Cold water brew lock-out prevents brewing when water temperature is below set level

Saves Operating Costs

Energy save mode automatically reduces energy consumption when brewer is idle

Programmable Display Banner

Can be set to display your operation's name and message

Options

2-1/2" adjustable plastic legs; 4" adjustable stainless steel legs

Plumbed Water System

Brewer must be plumbed into a water line

Crowd Pleaser Compatible

Pre-measured fraction packs brew for the masses, with up four to eight different Parks Coffee selections at your fingertips



Accessories:

How to Brew Card

Instructions for preparing coffee

Condiment Caddies

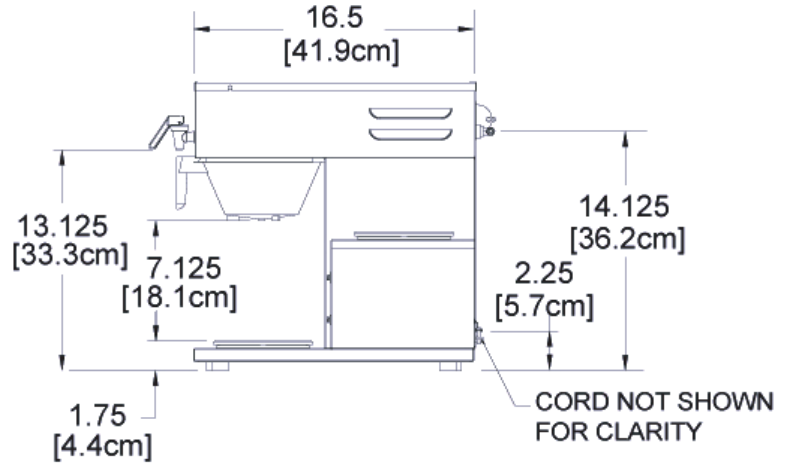
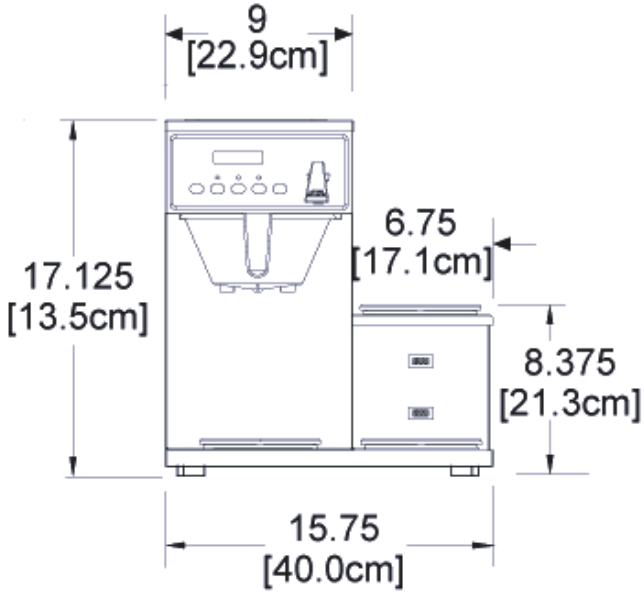
Countertop storage for coffee condiments

4-Ct Rack

Countertop storage for up to four coffee cartons

8-Ct Rack

Countertop storage for up to eight coffee cartons



Dimensions

H 17.125" x W 15.75" x D 16.5" (optional 2-1/2" or 4" adjustable legs)

Electrical

12V/60Hz; 1800W/15A

Water Supply Option

Direct-Plumbed

Dry Weight

36 lbs

Coffee Format

Fraction Pack, Filterpack or Ground Coffee



Contact your Parks Coffee Representative today!

(800) 889-7827 | ParksCoffee.com

Name _____

Date _____

Phone _____

Email _____