

Curtis TLP12A19

Airpot Open Brewer

Features:

Advanced Digital System

Fully encased smart card control module delivers precision performance and superior reliability

Touch Controls

Provides million-cycle switches and protection from spare parts handling damage

Pulse Brew Technology

Choice of three pulse brew options for optimal coffee flavor and brewing excellence

Programmable Brewing Volume

Factory preset for 2.5L airpots

Programmable Temperature Control

(170-206° F)

Convenient Hot Water

Perfect for tea, hot chocolate or soup; works during brew cycle

Plumbed Water System

Brewer must be plumbed into a water line

Ultra Compact, Low Profile

Innovative AFS Sprayhead

Perfectly saturates for rich and full extraction

Crowd Pleaser Compatible

Pre-measured fraction packs brew for the masses, with up four to eight different Parks Coffee selections at your fingertips



Accessories:

How to Brew Card

Instructions for preparing coffee

Airpot & Rack

Serveware and storage for coffee

Condiment Caddies

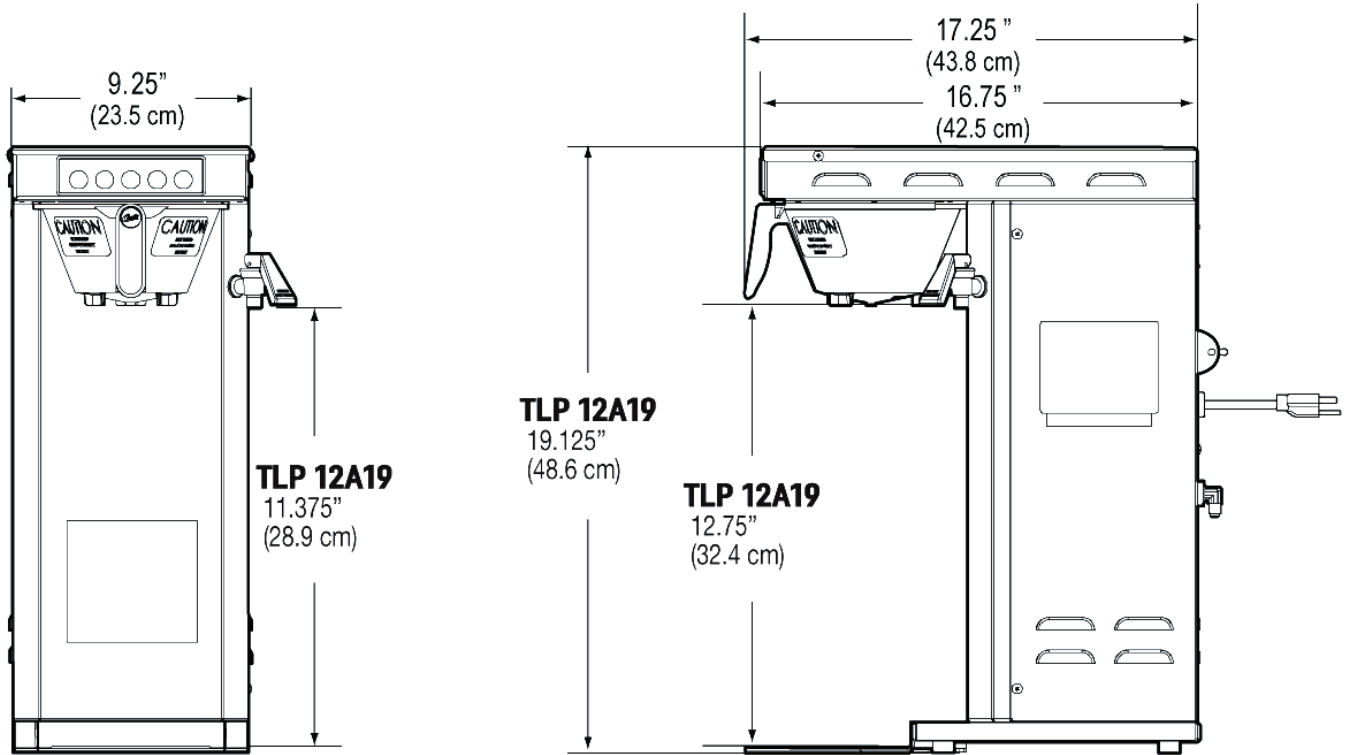
Countertop storage for coffee condiments

4-Ct Rack

Countertop storage for up to four coffee cartons

8-Ct Rack

Countertop storage for up to eight coffee cartons



Dimensions

H 19.125" x W 9.25" x D 16.75"

Electrical

120VAC/60Hz, 1500W/12.5A

Water Supply Option

Direct-Plumbed

Dry Weight

26 lbs

Coffee Format

Fraction Pack, Filterpack or Ground Coffee



Contact your Parks Coffee Representative today!

(800) 889-7827 | ParksCoffee.com

Name _____

Date _____

Phone _____

Email _____